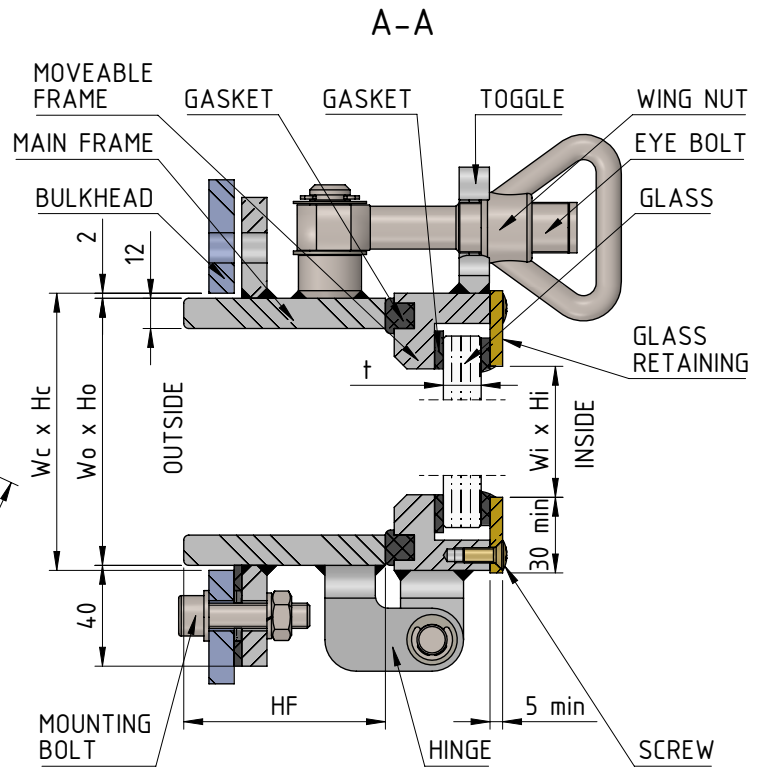
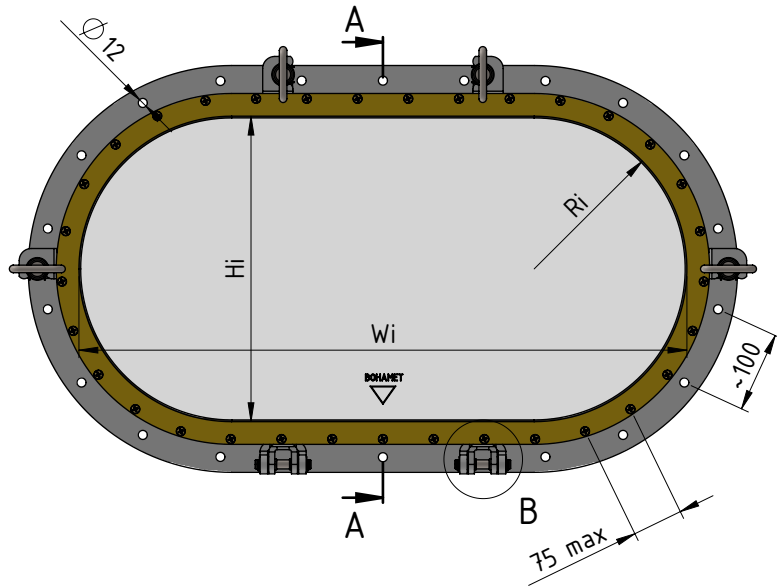


DOWN INWARD OPENING WINDOW FOR BOLTING, OVAL

model: W-IDB-F-OV



| MATERIALS CONFIGURATION | | | | | | | | |
|-------------------------|----------------|---|---|---|-----------------|----|--------|----|
| MAIN FRAME | MOVEABLE FRAME | | | | GLASS RETAINING | | SCREWS | |
| | 1 | 2 | 3 | 4 | 2 | 4* | 2 | 4* |
| 1 | X | X | X | X | X | X | X | X |
| 2 | X | X | X | X | X | X | X | X |
| 3 | X | X | X | X | X | X | X | X |
| 4 | X | X | X | X | X | X | X | X |

*Not available for the aluminum moveable frame

- 1. Steel (acc. to PN-EN10025): S235JR; S355J2; A36; D36; E36
- 2. St. steel (acc. to PN-EN10088): 1.4306 (304L); 1.4404 (316L); 1.4457 (316Ti)
- 3. Alu. alloy (acc. to PN-EN755): EN-AW 5754; EN-AW 5083; EN-AW 6063; EN-AW 6060
- 4. Brass (acc. to PN-EN12167): CuZn37

Available glass: single glass; laminated glass; tinted glass; heated glass; double glazed; triple glazed

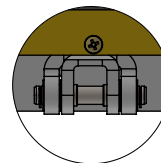
Available single glass thicknesses: 6; 8; 10; 12; 15; 19; 25

Available accessories for windows: S; D; R; W; C; G - see accessories TDS

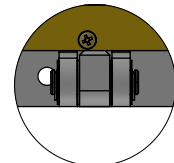
For fireproof unit see separate TDS

Hinge configurations:

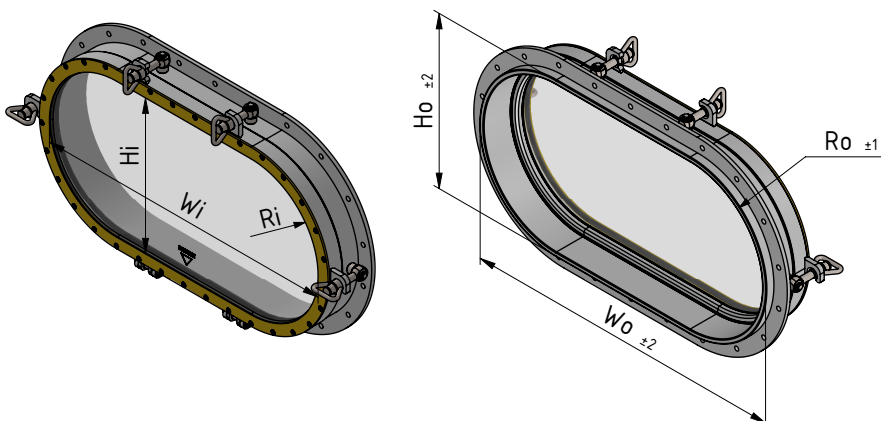
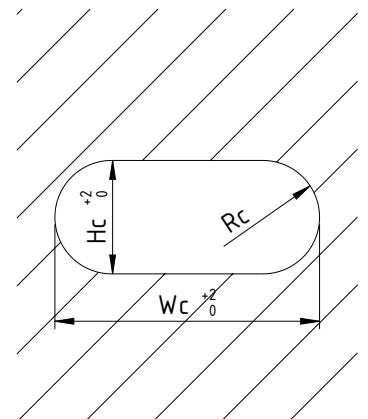
Detail B1
Hinge Ø 12



Detail B2
Hinge Ø 16



CUT-OUT HOLE IN PLATE (HIP)



All dimensions are in mm