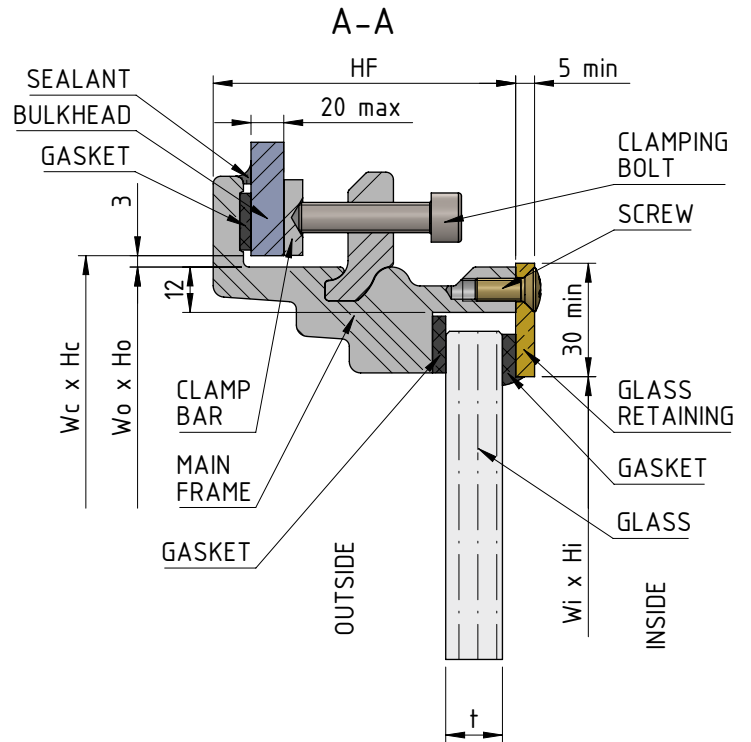
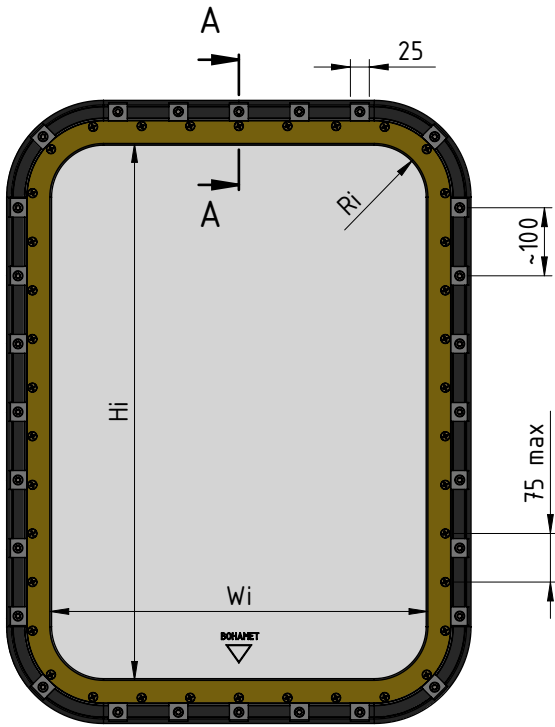


# NON OPENING WINDOW CLAMP-IN, RECTANGULAR

model: W-NOC-RC



MATERIALS CONFIGURATION

MAIN FRAME	CLAMP BAR	GLASS RETAINING	SCREWS
2	2	2	2
3	X	X	X

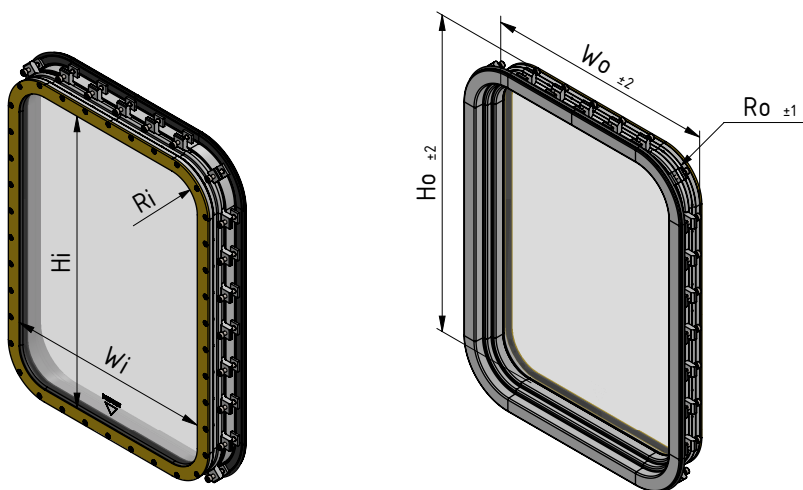
1. Steel (acc. to PN-EN10025): S235JR; S355J2; A36; D36; E36
2. St. steel (acc. to PN-EN10088): 1.4306 (304L); 1.4404 (316L); 1.4457 (316Ti)
3. Alu. alloy (acc. to PN-EN755): EN-AW 5754; EN-AW 5083; EN-AW 6063; EN-AW 6060
4. Brass (acc. to PN-EN12167): CuZn37

Typical radius Ro: R75, R100, R125

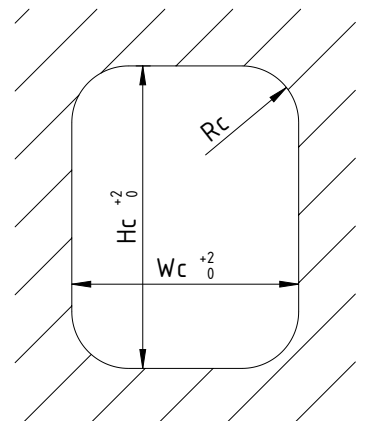
Available glass: single glass; laminated glass; tinted glass; heated glass; double glazed; triple glazed

Available single glass thicknesses: 6; 8; 10; 12; 15; 19; 25

Available accessories for windows: S; D; R; C - see accessories TDS



CUT-OUT HOLE IN PLATE (HIP)



All dimensions in mm